

ferroli

Pegasus N

51kW – 289kW gas-fired cast iron
floor standing atmospheric boilers

**10 year
warranty
on cast iron
sections**



Pegasus N boilers



High efficiency cast iron floor standing boiler with atmospheric high / low burner for the production of hot water for central heating installations.

Pegasus N models are available with a range of outputs from 51kW to 289kW. Produced in modern production units, ISO 9002 certified since 1993.

Principal components

- Stainless steel main burner.
- Double body gas valve with shut-off devices controlled by regulating and safety thermostats (Pegasus N F2).
- Principal gas valve and pilot safety valve controlled by regulating and safety thermostats (Pegasus N F3).
- Flue gas safety thermostat (Pegasus N F2).
- Electronic ignition with ionising flame regulation with reset button and intermittent pilot burner.
- Main switch.
- Temperature/pressure gauges.
- Regulating thermostat.
- Safety thermostat.
- Automatic air vent valve.
- Pressure switch and gas pressure switch (Pegasus N F3).
- Drain cock.
- Flue gas test point on flue gas chamber.

Boilers are supplied factory assembled, site assembly can be arranged where access is restricted.



1 Gas valve

Pegasus F2 N 51 4 cast iron sections from 30kW to 51kW

Pegasus F2 N 68 5 cast iron sections from 39.5kW to 68kW

Pegasus F2 N 85 6 cast iron sections from 49.5kW to 85kW



2 Gas valves

Pegasus F2 N 102 7 cast iron sections from 59.5kW to 102kW

Pegasus F3 N 119 8 cast iron sections from 71kW to 119kW

Pegasus F3 N 136 9 cast iron sections from 82kW to 136kW

Pegasus F3 N 153 10 cast iron sections from 92kW to 153kW



4 Gas valves

Pegasus F3 N 170 11 cast iron sections from 102kW to 170kW

Pegasus F3 N 187 12 cast iron sections from 112kW to 187kW

Pegasus F3 N 221 14 cast iron sections from 133kW to 221kW

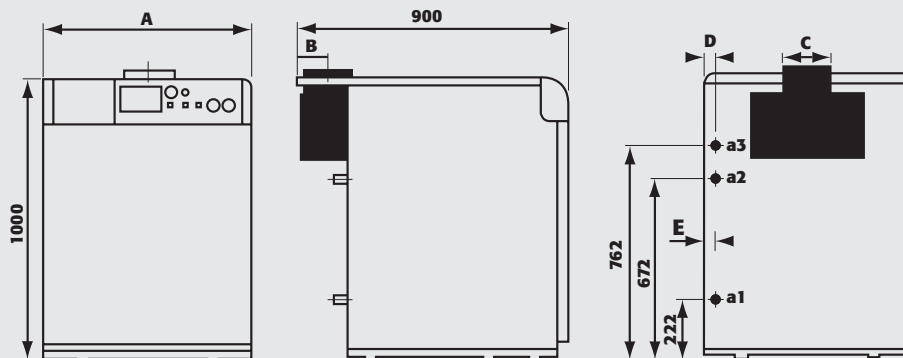
Pegasus F3 N 255 16 cast iron sections from 153kW to 255kW

Pegasus F3 N 289 18 cast iron sections from 173kW to 289kW

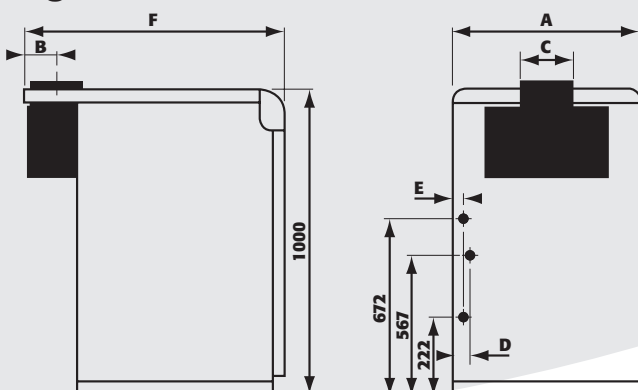
Technical Specifications

Pegasus N model		F2 51	F2 68	F2 85	F2 102	F3 119	F3 136	F3 153	F3 170	F3 187	F3 221	F3 255	F3 289	
Heat output	kW	51	68	85	102	119	136	153	170	187	221	255	289	
	Btu x1000	174	232	290	348	406	464	522	580	638	754	870	986	
Rated heat input nett	kW	56	74.8	93	112	131	149	168	187	206	243	280	317	
	Btu x1000	191	255	317	382	447	508	573	638	703	829	955	1082	
Design flow rate @ 82°C/71°C	litre/sec	1.10	1.47	1.84	2.21	2.56	2.90	3.30	3.67	4.03	4.76	5.49	6.23	
Minimum flow rate	litre/sec	0.44	0.59	0.74	0.88	1.02	1.16	1.32	1.47	1.61	1.90	2.20	2.50	
Boiler water content	litres	22	25	30	34	38	42	46	50	54	62	70	78	
Max. working pressure	bar	4	4	4	4	4	4	4	4	4	4	4	4	
Sections	no.	4	5	6	7	8	9	10	11	12	14	16	18	
Dimensions	A	mm	550	640	720	800	930	1020	1100	1190	1270	1440	1610	1780
	B	mm	103	103	103	103	133	148	148	173	173	173	198	198
	C	ø mm	180	180	200	200	220	250	250	300	300	300	350	350
	D	mm	43	46	44	42	50	53	58	60	58	57	62	66
	E	mm	35	38	36	34	42	45	43	46	44	45	46	49
	F	mm	900	900	900	900	1050	1050	1050	1050	1050	1050	1100	1100
Connections	a1	bsp	1½"	1½"	1½"	1½"	2"	2"	2"	2"	2"	2"	2"	
	a2	bsp	1½"	1½"	1½"	1½"	2"	2"	2"	2"	2"	2"	2"	
	a3	bsp	¾"	¾"	¾"	¾"	1"	1"	1½"	1½"	1½"	1½"	1½"	
Principal gas nozzles	no.	3	4	5	6	7	8	9	10	11	13	15	17	
Elec. power supply	V/Hz	230/50	230/50	230/50	230/50	230/50	230/50	230/50	230/50	230/50	230/50	230/50	230/50	
Total power input	Watt	20	20	20	20	32	32	60	60	60	60	60	60	
Weight (with packaging)	kg	250	300	350	400	470	530	575	625	665	760	875	945	

Pegasus F2 N



Pegasus F3 N



KEY

- a1 central heating return
- a2 central heating flow
- a3 gas connection

Ferrolì



Ferrolì Limited

Ferrolì began producing heating appliances and equipment in Italy during the 1950s. Today, the company is still family-owned but now operates ten ultra-modern factories in Europe, employing over 2,500 people and producing a wide range of wall hung, cast iron and welded steel boilers, making Ferrolì one of the largest and most successful heating appliance manufacturers in the world.



Ferrolì Commercial and Industrial Boilers

The commercial and industrial boiler range covers steel and cast iron designs, atmospheric and pressure jet units, and oil, gas or biomass models. Outputs range from 50kW to 14,000kW. Other products include heat exchangers and pressurisation units. Ferrolì's UK warehouse, backed by its huge manufacturing facility in Italy, offers delivery ex-stock for most smaller boiler models and for all frequently used parts. It also assembles sectional boilers in the UK to suit particular requirements.



Ferrolì Domestic Boilers

Offering gas wall mounted units with outputs from 5kW to 50kW, Ferrolì's stylish, compact domestic boilers provide maximum comfort with minimal fuel usage. With a choice of conventional, condensing and combi technologies, there's a boiler to match the heating and hot water requirements of every home.



Ferrolì Service

Once the normal guarantee period on our boilers has expired, coverage can be extended cost-effectively with a choice of Ferrolì service contracts to suit your budget. All Ferrolì service engineers work to Benchmark standards and the Benchmark Code of Practice for the installation, commissioning and servicing of central heating systems, designed to improve the quality of work undertaken by plumbers and heating installers.



Ferrolì Spares

The rapidly growing popularity of Ferrolì as first choice for both domestic and commercial installations means that heating parts stockists offer readily available spares for Ferrolì boilers. For less frequently needed items, we maintain a fully-stocked warehouse located centrally in the UK, enabling same-day despatch of just about any part needed to keep your Ferrolì boiler running at optimum efficiency.



Ferrolì Training

Ferrolì understands that well-trained installers are the key to a safe and efficient heating system. That's why we run comprehensive training courses in our purpose-built facilities for everyone concerned in the installation and servicing of Ferrolì's range of boilers. These courses improve installers' knowledge and skills by providing both the theory and the hands-on practical experience essential to maintaining heating system performance and safety.



Ferrolì Ltd

Lichfield Road Branston Industrial Estate
Burton-Upon-Trent Staffordshire DE14 3HD
tel 08707 272 755
fax 08707 272 766
e-mail: commercial@ferrolì.co.uk
www.ferrolì.co.uk



Mixed Sources

Product group from well-managed forests, and other controlled sources
www.fsc.org Cert no. SA-COC-1487
© 1996 Forest Stewardship Council

All the information in this brochure was correct at the time of printing, specifications and designs may be changed owing to Ferrolì's policy of continuous product research and development. The statutory rights of the consumer are not affected.